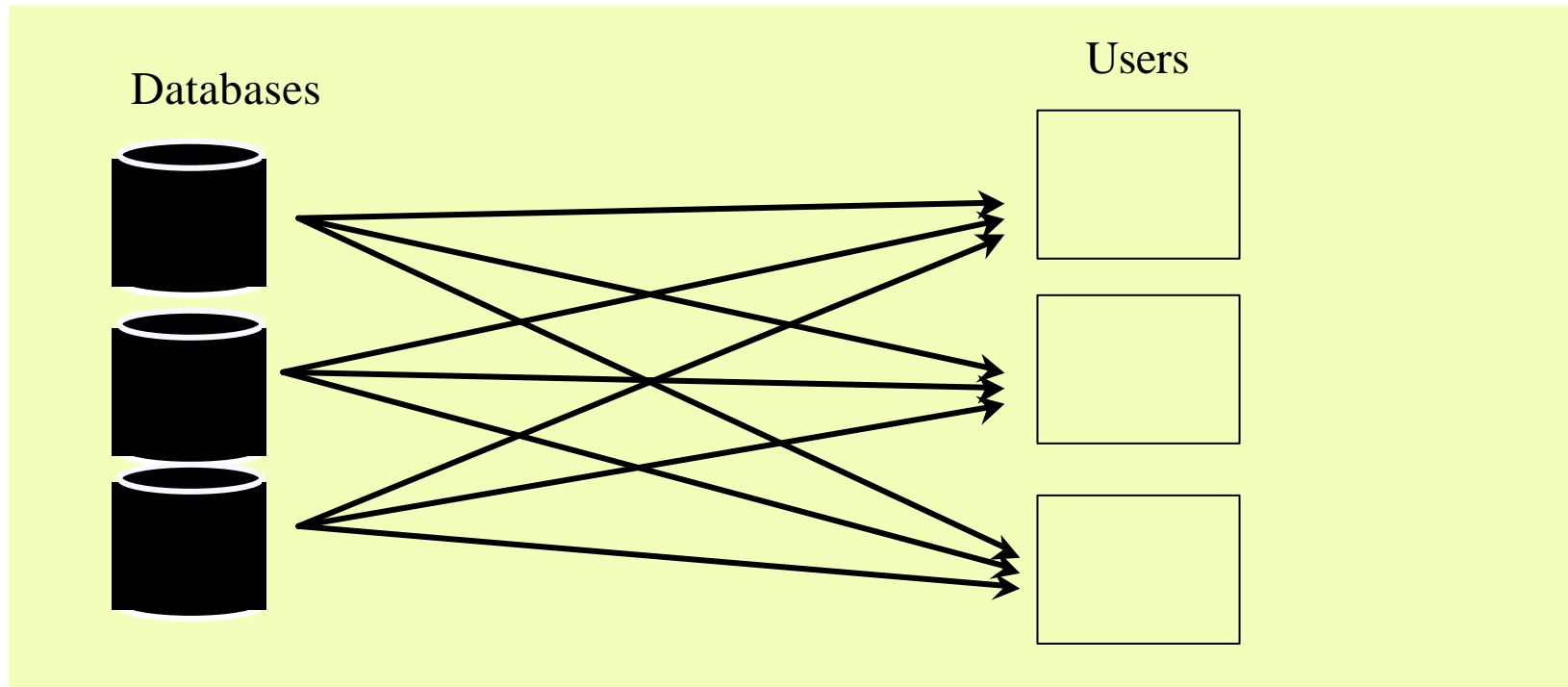


A Municipal GIS

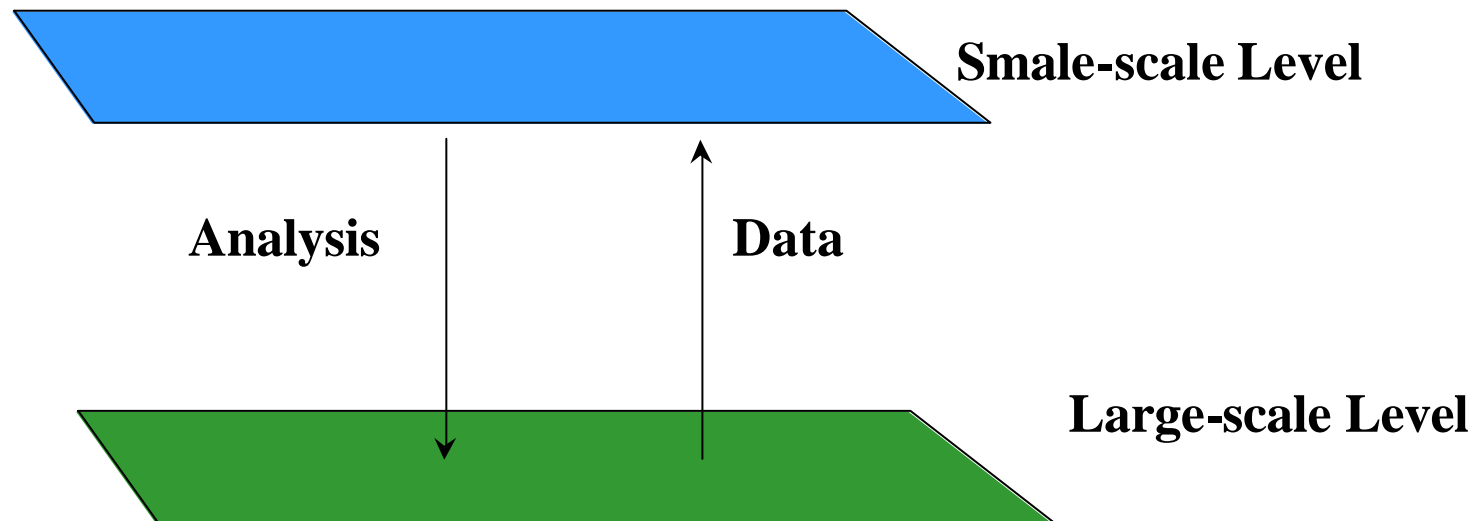


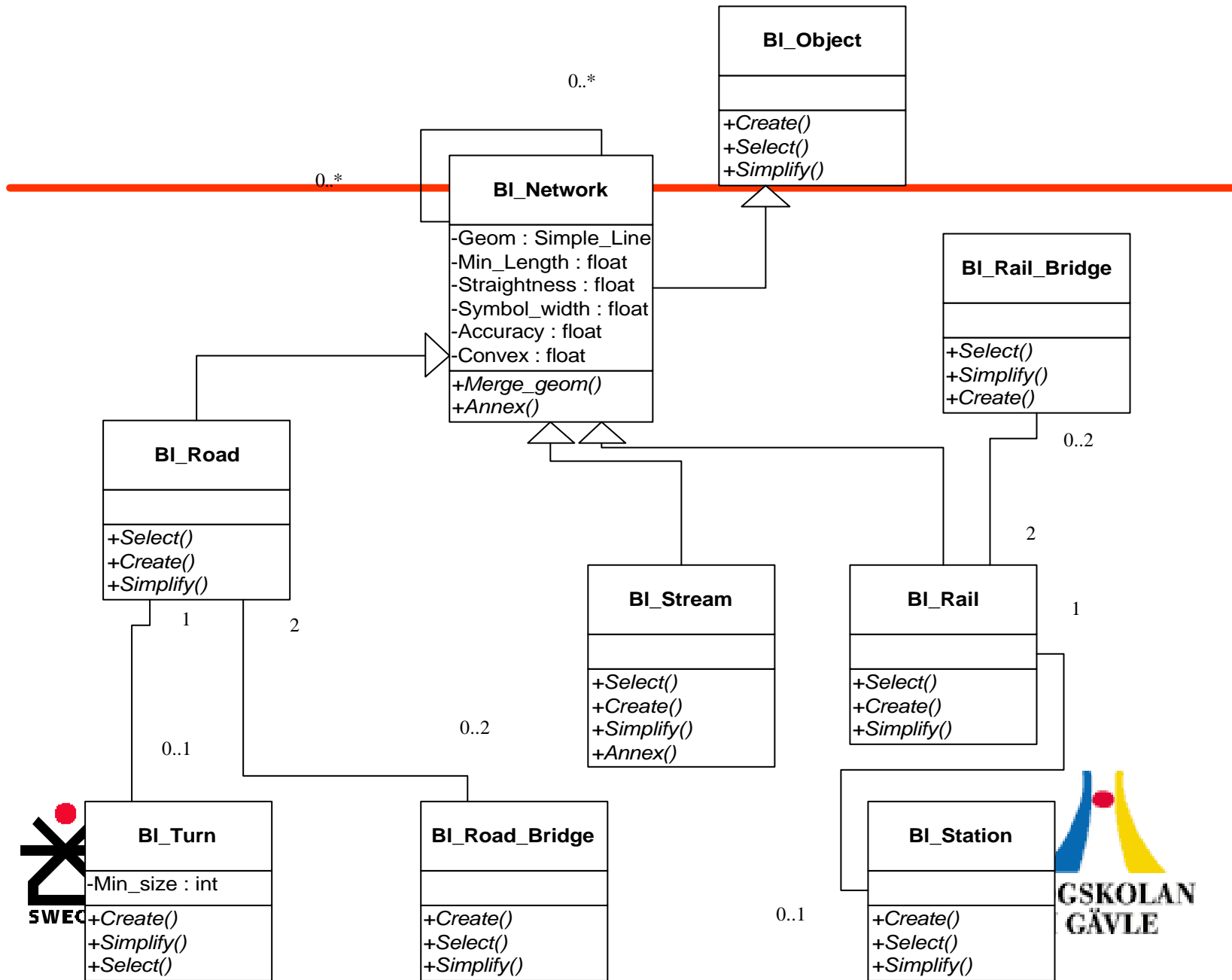
The Level

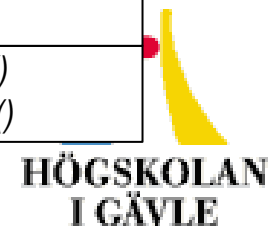
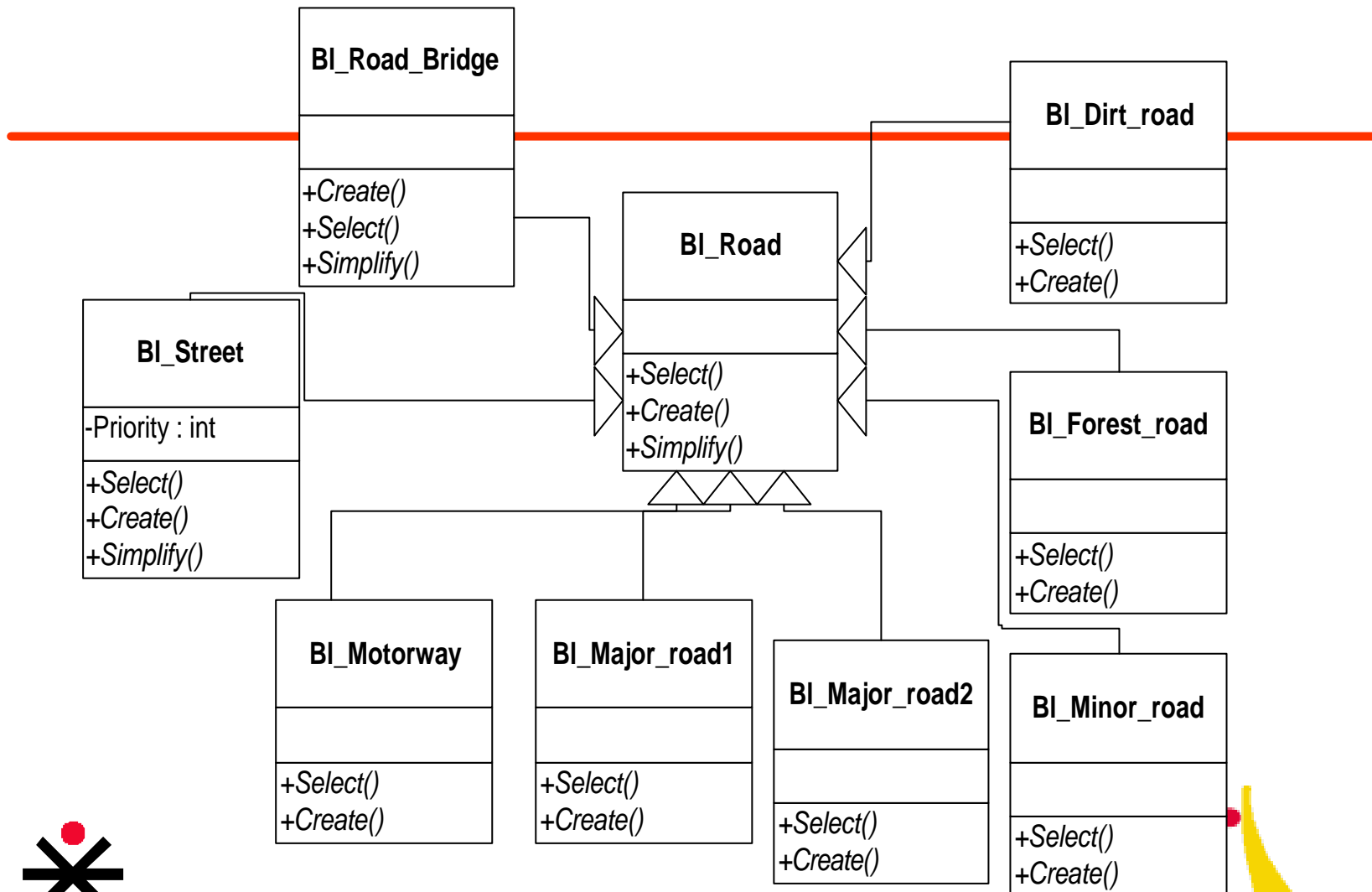
- A level has the following characteristics
 - A level is static and is defined to be viewed at a certain resolution
 - An object class belongs to one and only one level
 - Representation is defined for each object class.



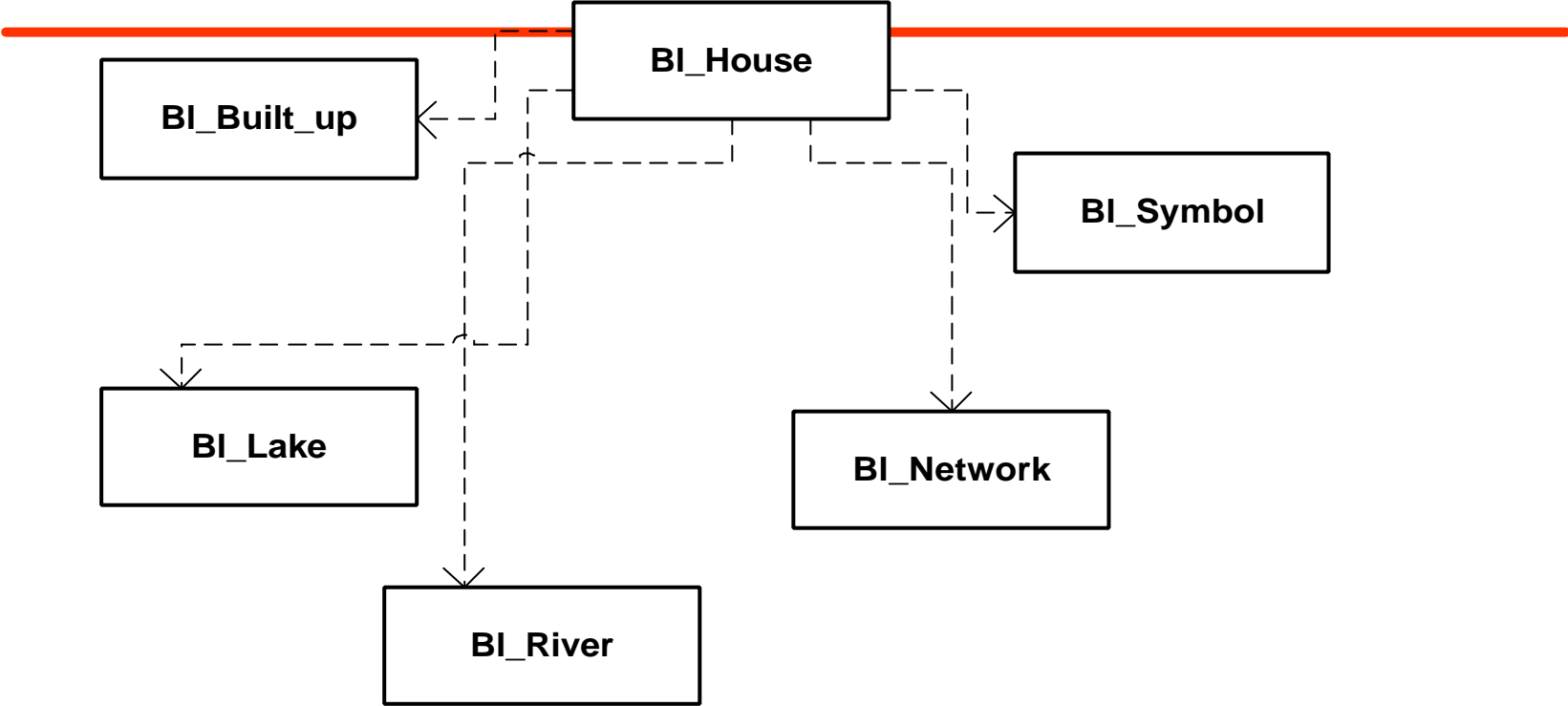
The creation process

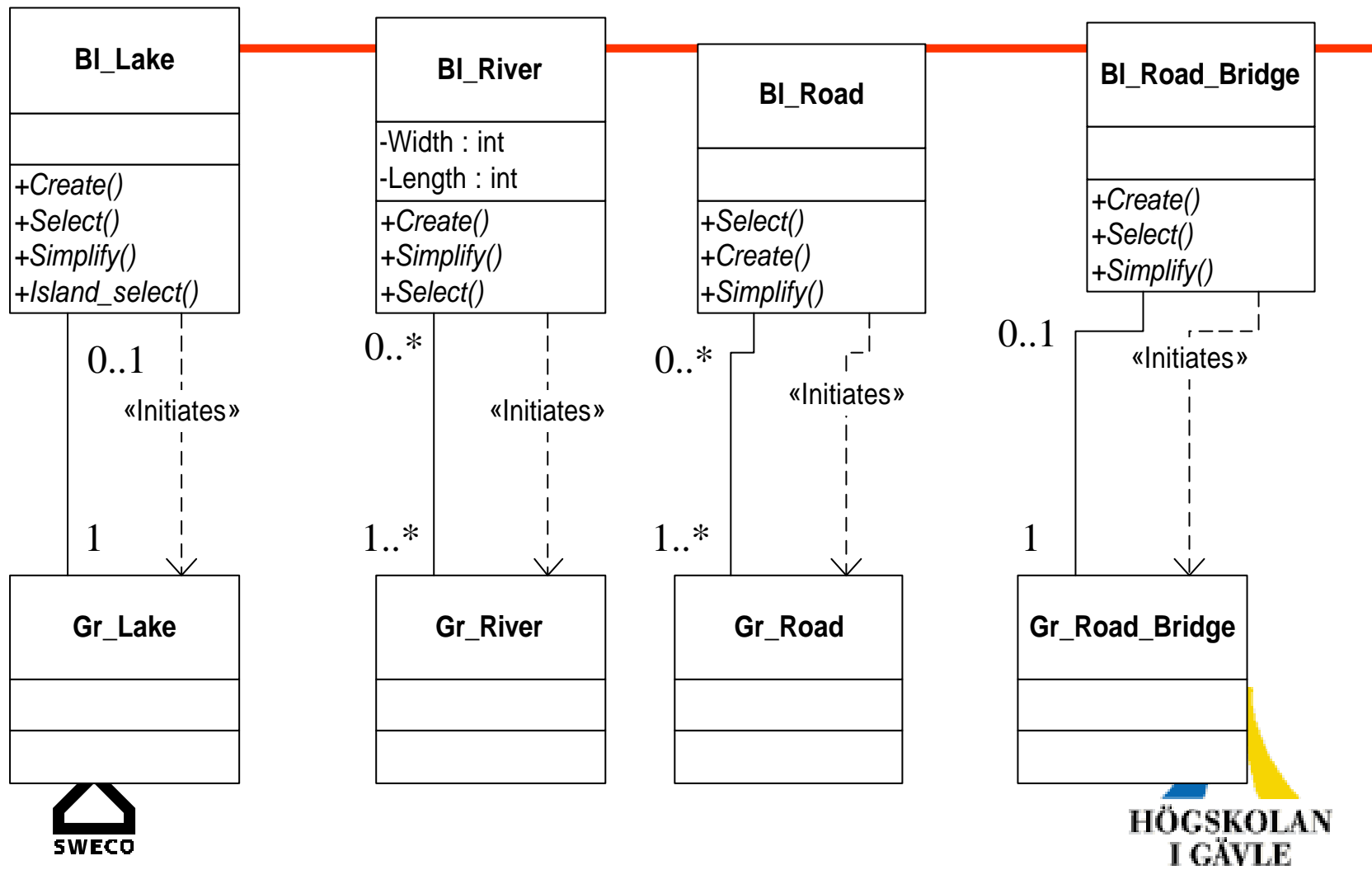






A change to BI_House might effect objects of classes below.





Conclusions

- OO-Modelling is a suitable tool to organise the generalisation requirements.
- Difficult to model generalisation of patterns
- Need to refine the model with more sophisticated generalisation methods
- Need to model different applications to try out the ideas further.

